

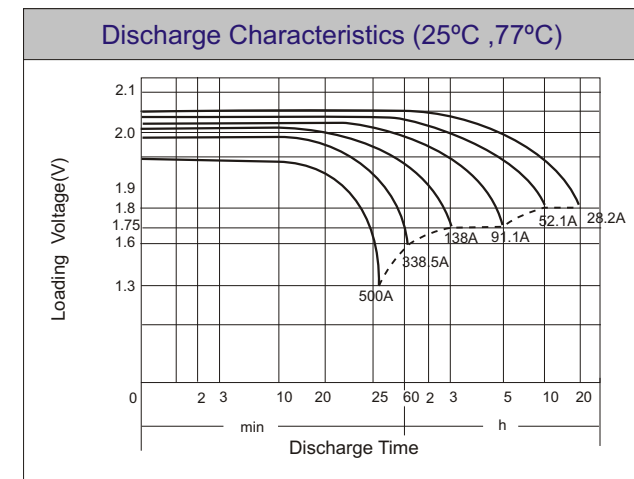
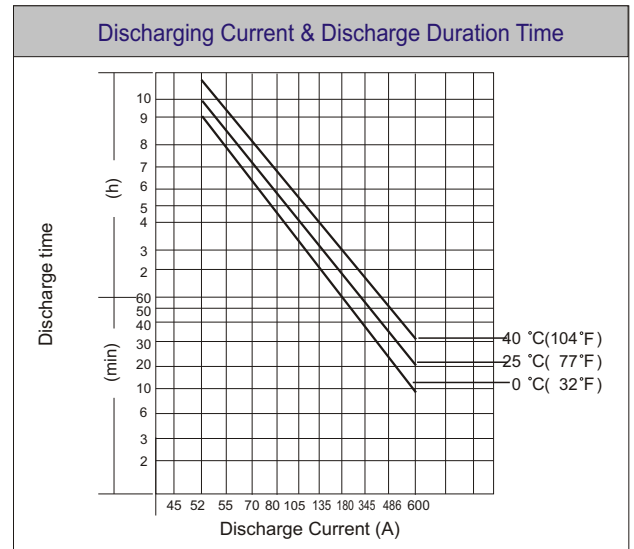
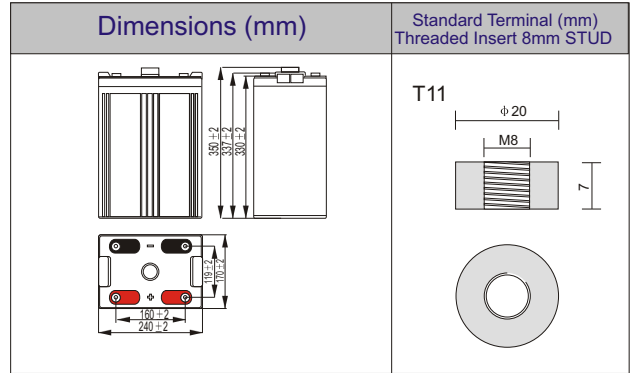


POWER-GUARD SERIES®



PG2V560

VRLA Sealed Long Life Battery



Physical Specification		
Nominal Voltage	2V	
Nominal Capacity (20HR)	564AH	
Dimension	Length	240±2mm (9.45 inches)
	Width	170±2mm (6.69 inches)
	Container Height	330±2mm (12.99 inches)
	Total Height (with Terminal)	350±2mm (13.78 inches)
Weight	Approx 31kg (68.40lbs)	
Standard Terminal	T11 Threaded Insert 8mm STUD	

Electrical Specification					
Rated Capacity	20 hour rate (28.2 A)	564AH	Constant-Voltage Charge	Cycle	Initial Charging Current less than 150A. Voltage 2.40V~ 2.50V at 25°C (77°F) Temp. Coefficient -5mV/C
	10 hour rate (52.1 A)	521AH			
	8 hour rate (62.5 A)	500 AH			
	5 hour rate (91.1 A)	455.5AH			
	3 hour rate (138 A)	414.0AH			
1 hour rate (338.5 A)	338.5AH	Standby	No limit on Initial Charging Current Voltage 2.25V~2.30V at 25°C(77°F) Temp. Coefficient - 3mV/°C		
Capacity affected by Temperature	40°C (104°F)			103%	
	25°C (77°F)			100%	
	0°C (32°F)	86%			

Constant Current (Amp) and Constant Power (Watt) Discharge Table (25°C,77°F)											
Time(minute) Final voltage	30	45	60	120	180	240	300	360	480	600	1200
	1.3	1.3	1.6	1.7	1.75	1.75	1.75	1.75	1.8	1.8	1.8
Amp/Watt/Cell											
Amps	520.8	364.6	338.5	187.5	138.0	109.4	91.1	80.7	62.5	52.1	28.2
W/Cell	984.4	724.0	670.3	372.9	275.0	218.2	182.2	161.5	125.0	104.2	56.4